

FoxUV™ 350nm LED 5mm Round



FEATURES AND APPLICATIONS

- Deep UV wavelength, highly consistent
- HVPE epitaxy process, patent protected, unique in the industry
- UV lamps for medical/biomedical uses, sensors, and scientific applications

SPECIFICATIONS

Absolute Maximum Rating (Ta = 25°C)

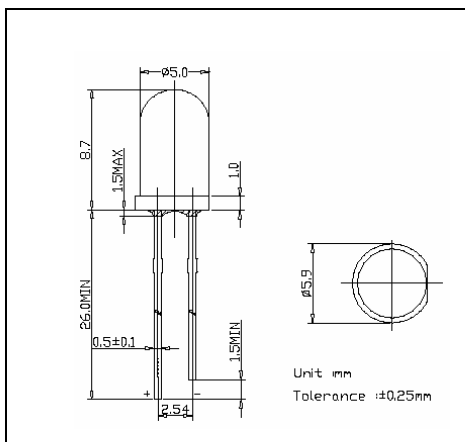
Item	Symbol	Maximum Rating	Unit
DC Forward Current	I_f	30	mA
Pulse Forward Current*	I_{fp}	80	mA
Reverse Voltage	V_r	5	V
Operating Temperature	T_{opr}	-20 to +80	°C
Storage Temperature	T_{stg}	-40 to +100	°C

*Condition: Duty Cycle: 1/10, Pulse Width: 10msec

Optical and Electrical Characteristics (Ta = 25°C)

Item	Symbol	Condition	Min	Typ.	Max	unit
Forward Voltage	V_f	$I_f=20mA$	3.6	3.8	4.5	V
Reverse Current	I_r	$V_r=5V$	-	-	100	μA
Peak Wavelength	λ_p	$I_f=20mA$	350	351	353	nm
Viewing Angle		$I_f=20mA$	-	15	-	deg.
Output Power/Flux	P_o	$I_f=20mA$	100	200	350	μW

Lamp Description (typical)



- Round epoxy lens, 5 mm (T-1 3/4 package), UV resistant
- Water clear

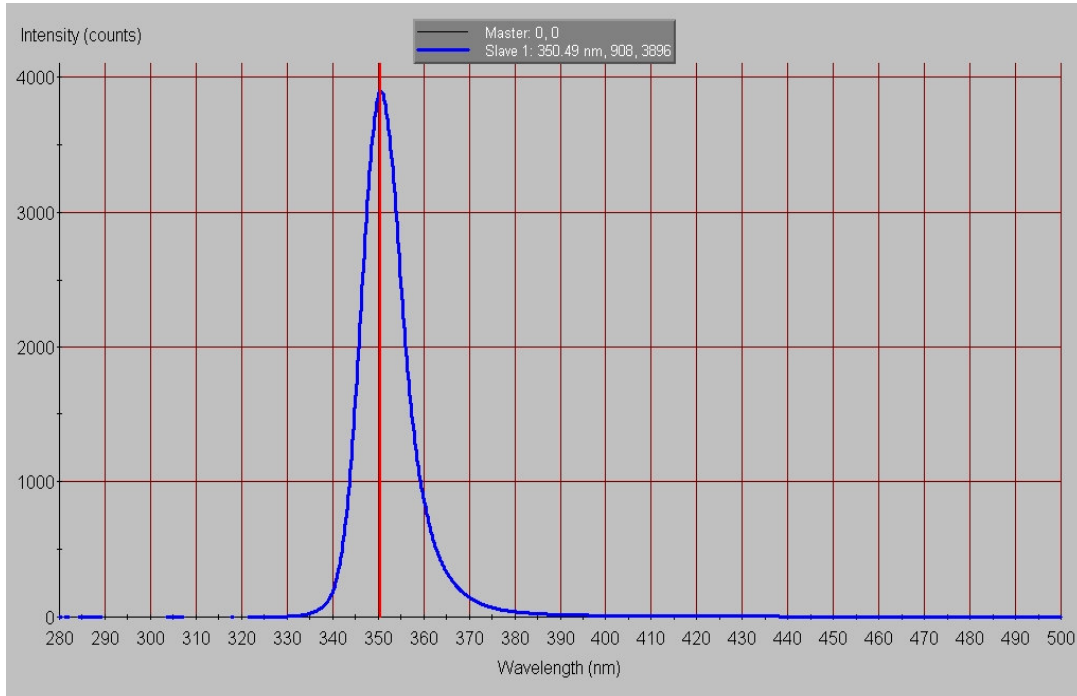
Rev. B, July 2006

Le Groupe Fox Inc.
200 Voyageur, Pointe-Claire, QC, Canada, H9R 6A8
Tel: (514)630-4305 Fax: (514)630-0227 sales@thefoxgroupinc.com

FoxUV™ 350nm LED 5mm Round



Typical Spectrum



Warnings and Handling Instructions

- UV LEDs emit intense but mainly invisible ultraviolet radiation when in operation, which may be harmful to eyes, even for brief periods.
- *** DO NOT LOOK DIRECTLY INTO THE UV LED DURING OPERATION ***
- *** BE SURE THAT YOU AND ALL PERSONS IN THE VICINITY WEAR SAFETY GOGGLES THAT PROVIDE SUITABLE UV PROTECTION WHEN A UV LED IS OPERATING ***
- *** KEEP CHILDREN AWAY FROM THE OPERATING VICINITY ***
- *** KEEP UV LEDs OUT OF THE REACH OF CHILDREN ***
- If you incorporate a UV LED into a product, be sure to provide appropriate cautionary labels and instructions.
- Please follow all standard procedures for storing, handling, cleaning, mounting, soldering, disposal, or otherwise handling LED dies or packaged LEDs, including static electricity protection.

Rev. B, July 2006

Le Groupe Fox Inc.
200 Voyageur, Pointe-Claire, QC, Canada, H9R 6A8
Tel: (514)630-4305 Fax: (514)630-0227 sales@thefoxgroupinc.com